



SIREN		
M3720		

1 KEY 1 SOUND

1 鍵 1 音 效 IC

### FEATURES 功能敘述

- LED flash output.
- Envelope generator selectable.
- Speaker or directly buzzer application.

P/N	SOUND	Fosc (KHz)	Rosc	應用
M3720-1	AIRPLANE 飛機聲	64	390K	A
M3720-2	ROCKET 火箭聲	96	220K	A
M3720-3	SIREN II 警報聲 II	64	220K	A
M3720-4	POLICE CAR 警車聲	128	150K	A
M3720-5	FIRE BRIGADE 救火車聲	128	150K	A
M3720-6	SIREN I 警報聲 I	64	360K	A
M3720-7	DIAL TONE 電話聲	64	390K	B
M3720-8	CHICKEN 小雞叫	260	62K	B
M3720-9	AMBULANCE 救護車聲	64	390K	A
M3720-10	DAN 1 TIME 噹聲 1 次	64	390K	C

### APPLICATION 產品應用

- Siren system, Home/Car alarm etc..

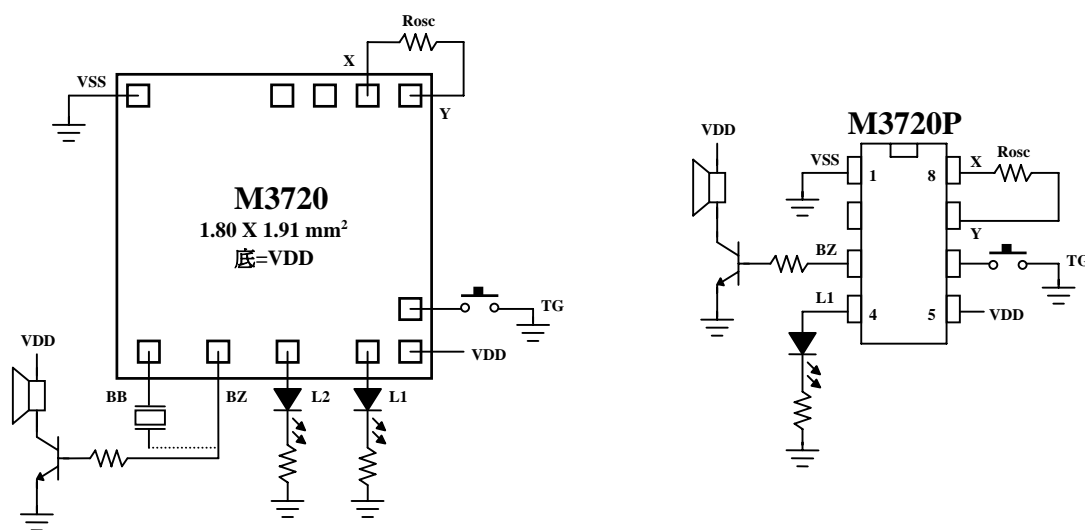
### ELECTRICAL CHARACTERISTICS 電氣規格

( @V<sub>DD</sub>=3V unless otherwise specified )


Characteristics	Sym.	Min.	Typ.	Max.	Unit	REMARKS
工作電壓 Operating Voltage	V <sub>DD</sub>	—	3	3.5	V	
工作電流 Operating Current	I <sub>OP</sub>	—	0.1	0.5	mA	No load
靜態電流 Quiescent Current	I <sub>SB</sub>	—	1	5	μA	
推動電流 BZ Driving Current	I <sub>O</sub>	1	—	—	mA	@V <sub>DS</sub> =1V
推動電流 LO Driving Current	I <sub>OL</sub>	2	—	—	mA	@V <sub>DS</sub> =1.2V
振盪頻率 Oscillator Frequency	F <sub>OSC</sub>	—	—	—	KHz	External±30%
工作溫度 Operating Temperature	Temp.	0	25	60	°C	

### APPLICATION DIAGRAM 參考電路圖

(A)





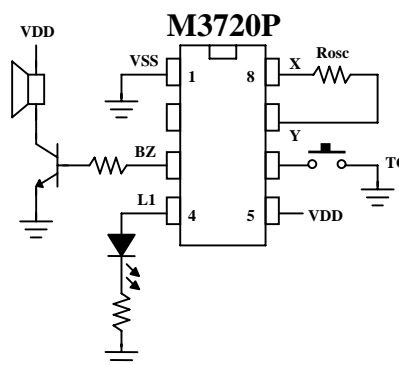
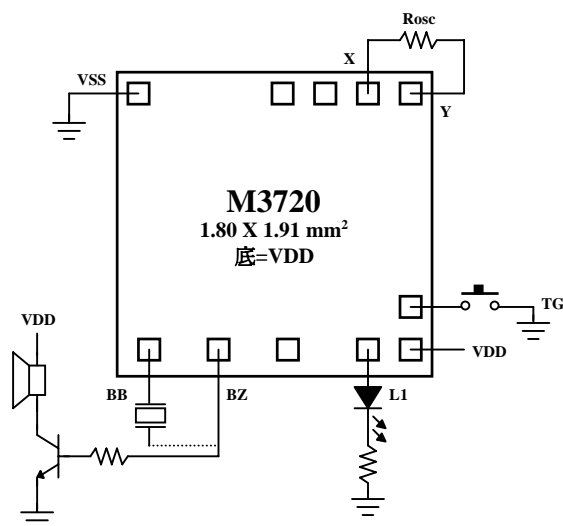
SIREN	
M3720	

1 KEY 1 SOUND

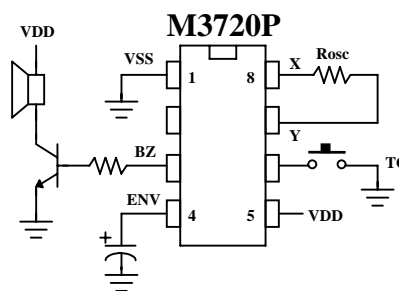
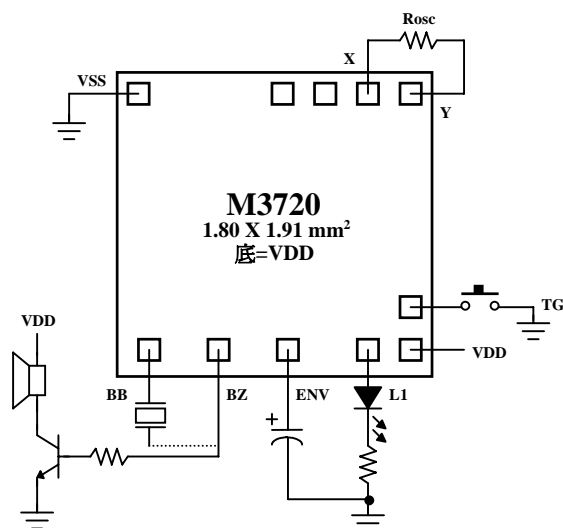
1 鍵 1 音效 IC

APPLICATION DIAGRAM 參考電路圖

(B)




(C)



\*All specs and applications shown above subject to change without prior notice.

( 以上電路及規格僅供參考,本公司得逕行修正 )

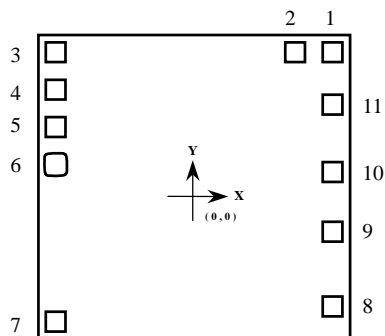


SIREN	
M3720	

1 KEY 1 SOUND

1 鍵 1 音效 IC

**PAD ASSIGNMENT & POSITION**



UNIT : um

No.	NAME	X	Y
1	VDD	747	754
2	TG	537	754
3	Y	-749	754
4	X	-749	544
5	TEST	-749	334
6	T1	-749	124
7	VSS	-749	-754
8	BB	747	-653
9	BZ	747	-259
10	L2	747	80
11	L1	747	465

\* CHIP SIZE ~ 1.80 x 1.91 mm<sup>2</sup>

\* IC substrate should be connected to VDD in PCB (PCB 上 IC 必須接 VDD)